

HP20F

CASE PACKING | DISPENSING | KITTING | MACHINE TENDING

KEY BENEFITS

Applicable for use in a variety of applications

Performance-driven, compact design

Reliable operation with internal cables

SPECIFICATIONS

20 kg maximum payload
3,063 mm vertical reach
1,717 mm horizontal reach
±0.06 mm repeatability

CONTROLLERS



DX200



FS100



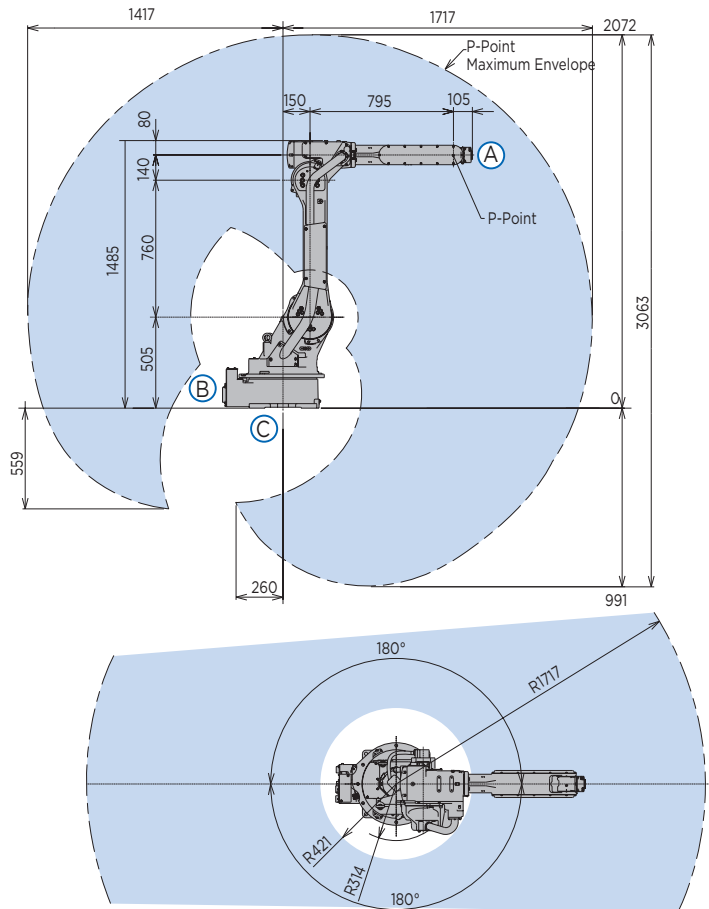
MLX200

- Versatile robot with 20 kg payload capacity is ideal for many applications, such as picking, sorting, case packing, machine tending and dispensing.
- Extensive 3,063 mm vertical and 1,717 mm horizontal reach. The large work envelope extends behind the robot, allowing space for robot tool storage or maintenance.
- Fast motion profiles and high moment of inertia wrist design enables the HP20F robot to maintain throughput with heavy, unbalanced loads.
- Auxiliary equipment (up to 11 kg) can be mounted on the upper arm to simplify end-of-arm tool design.
- Internally routed airlines and cables from base to the end-of-arm tool maximizes reliability of operation.
- The HP20F can be floor-, wall- or ceiling-mounted.
- Ideally suited for use in high-density work cells with multiple robots working in close proximity.

FS100 CONTROLLER

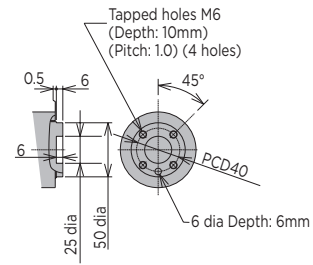
- Small, compact controller.
- 470 mm wide, 200 mm high, 420 mm deep.
- Designed for packaging and small parts handling robots with payloads of 20 kg and under.
- Compatible with integrated MotoSight 2D vision (optional).
- Improved communication speeds and functionality.
- High-speed I/O response and high-resolution timers.
- Open architecture enables software customization in widely accepted environments such as C, C++, C# and .NET.
- Uses similar programming pendant hardware as DX200 controller, providing a consistent programming interface.
- Built-in collision avoidance with multiple robots.

HP20F ROBOT

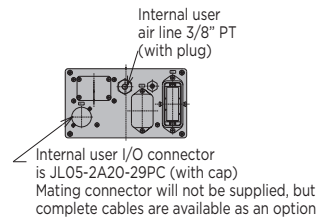


All dimensions are metric (mm) and for reference only.
Request detailed drawings for all design/engineering requirements.

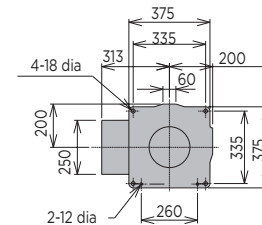
VIEW A



VIEW B



VIEW C



SPECIFICATIONS

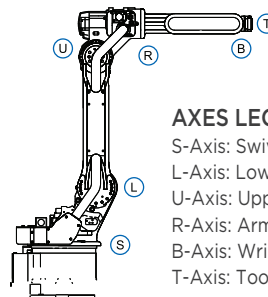
Axes	Maximum motion range [°]	Maximum speed [°/sec.]		Allowable moment [N•m]	Allowable moment of inertia [kg•m ²]	Controlled axes	6
		FS100	MLX200				
S	±180	197	157.6	-	-	Maximum payload [kg]	20
L	-100/+155	175	175	-	-	Repeatability [mm]	±0.06
U	-165/+255	205	205	-	-	Horizontal reach [mm]	1,717
R	±200	400	400	39.2	1.05	Vertical reach [mm]	3,063
B	-50/+230	400	400	39.2	1.05	Protection (IP rating) Standard	IP54 Body; IP67 Wrist
T	±360	600	600	19.6	0.75	Weight [kg]	268
						Power requirements	1- or 3-phase; 200/230 VAC at 50/60 Hz
						Power rating [kVA]	2.0

OPTIONS

Extended length manipulator cables

MotoPick™ - scheduler and picking software integrated with vision and conveyor tracking

MotoSight™ - easy to integrate vision software



AXES LEGEND

- S-Axis: Swivel Base
- L-Axis: Lower Arm
- U-Axis: Upper Arm
- R-Axis: Arm Roll
- B-Axis: Wrist Bend
- T-Axis: Tool Flange

Yaskawa America, Inc.
Motoman Robotics Division

100 Automation Way
Miamisburg, OH 45342
Tel: 937.847.6200
Fax: 937.847.6277

motoman.com

Carbines Engineering Ltd

T: +64 9 826 0580
Freephone: 0800 375566
E: sales@carbines.co.nz
www.autoline.net.nz
www.carbines.co.nz

www.carbines.co.nz

Carbines
ENGINEERING LTD.